

Maric Constant Flow Valves

Constant Flow Rate
Regardless of Pressure



Est. 1963

This list shows how the use of Maric flow control valves, at water meters, has benefited Water Authorities.

- A. The use of 2.0 litre per minute tail inserts are an invisible and tamper resistant means of accurately restricting flow for non-payment of water bills.
- B. Limiting maximum flow, helps ensure minimum mains pressure is maintained during peak demand. This can help ensure the last property on the line gets its fair share, and may also prevent the costly exercise of needing to increase the mains pipe size to cope with an increased population.
- C. Significantly extended water meter life is obtained when maximum flow is kept within meters design parameters.
- D. May facilitate an economical means of distributing water to vast areas of semi-rural, sparsely populated country. A very small and inexpensive water main, perhaps as small as 50mm, and hundreds of kilometers long may be used if flow is limited to a minimum continuous supply. Consumers fill their own tanks for a practical supply.
- E. In Queensland some authorities provide valves at a low flow rate, instead of water meters. This is a significant cost reduction to authorities, and consumers pay according to flow rate requested or offered. As above, consumers fill tanks for a practical supply.
- F. Perhaps they could be used also in times of water shortage? Could they offer an alternative to "water restrictions"?
- G. Reduced pumping costs - lower peakflow = smaller pumps.

Valves are available to suit meter sizes from 15mm up to 150mm.

They are WaterMark certified (based on ISO9001) and approved for use in contact with drinking water.

See below; Water Authorities using Maric Flow Control Valves.

Riverina Water;	Jason Ip Borrromei, 02 6922 0658
Water Corporation of WA;	Tony Borrromei, Meter Co-ordinator, Mob: 0419 190 891
SW Water;	Laurie McGing, Metering Co-ordinator, 08 7424 1953 Mob: 0408 840 117
Scenic Rim Regional Council;	Joe McPhail, Foreman, Water & Wastewater, Mob: 0407 657 143
Busselton Water Board;	Jason Rice, Water Tariff Officer, 08 9781 0500
Calliope Shire Council;	Craig Murrell, Manager, Infrastructure Planning, 07 4975 8100
GWM;	Phil Childs, Recourses Manager, 1300 659961
Barwon Water;	Henry Freise, Meter Management Leader, 03 5226 9259
Bega Valley;	Darryl Parker, Purchasing Office, 02 6499 2222
Central Highlands;	Ian Oldham, Metering Manager, 03 5320 3100
Central Tablelands;	Darryl Sligar, Operations Manager, 02 6368 2208
Coliban Water;	Kerri Carr, General Manager Customer Service, 1300 363 200
District of Yorke Peninsula;	Grant Smith, 08 8832 0000 Mob: 0427 848 830
Emerald Shire Council;	Dan Pymble, Manager, Water Utilities, 07 4982 8367
Gippsland Water;	Dennis Tomich, Property Services Manager, Schultz Plumbing, Mob: 0404 047 155
Wannon Water;	Denis Holmes, Supervisor, 03 5551 0400 Mob: 0407 052 187
Goulburn Murray Water;	Trevor Kolpin, Salinity Officer, Mob: 0417 394 931
Goulburn Valley Water;	Bruce Anderson, Manager, Operations, 03 5832 0452
Narrabrai Shire Council;	Rod Liversidge, Water Manager, 02 6799 6877
North East Water;	John McDiarmid, Metering Coordinator, 02 6022 0555
Wyong Shire Council;	Phil Lerway, Water Services Administrator, 02 4350 5555

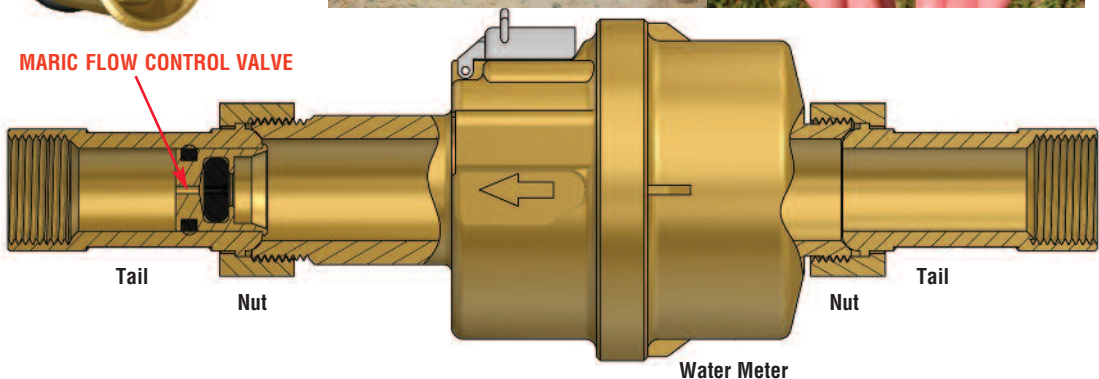
Selection of flow controllers for smaller water meter and tail applications



Typical installation of inserts in 20 & 25mm meter & tail assembly



MARIC FLOW CONTROL VALVE



www.maric.com

Telephone:

08 8431 2281

(+61 8 8431 2281)

Facsimile:

08 8431 2025

